

BUILDING PERMIT APPLICATION

- All Construction and other forms for building in the city of Mount Pleasant require authorization from the City Zoning Administrator and/or the Planning & Zoning Commission.
- Additionally, such work requires a building permit from the Sanpete County Building Department.
- Please understand that this application process may take up to two weeks.

REQUIRED INFORMATION

- A Detailed site plan showing the locations and dimensions of principal and accessory structures, including setback requirements.
 - Plan must show North arrow, map scale, date of preparation and current zoning of the parcel.
- A map showing the parcel under consideration including all property, subdivisions, streets, rights-of-way, and other pertinent features within 200 feet of the boundary of the parcel.

PLEASE REVIEW THIS INFORMATION CAREFULLY AND PLEASE ASK CITY OFFICIALS ANY QUESTIONS REGARDING THIS PROCESS.

CITY USE ONLY	
Applicants Name:	
Date Permit was Submitted:	
\$25 Permit Fee Paid:	
Permit Received By:	
Application Permit Number:	

115 West Main Street, Mt. Pleasant, UT, 84647, 435-462-2456, (Fax) 462-3199

Mount Pleasant City Residence/Commercial Utilities Service			
Customer Information:			
Customer Name:			
Date of Birth:	SSN#:	DL #	State:
Home Phone#:		Cell Phone#:	
Employer:			
Employers Address:			
Service Address:			
Mailing Address: (if different form service)			
City:	State:	Zip Code:	
Please check one of the following: Own <input type="checkbox"/> Rent <input type="checkbox"/> New Construction <input type="checkbox"/>			
Landlord's Name (if renting)		Phone #:	
Significant Other Information:			
Name:			
Date of Birth:	SSN#:	Phone#:	
Employer:			
Emergency Contact Information:			
Name of person not residing with you:			
Address:			
City:	State:	Zip Code:	
Phone#:			
Application Agreement:			
<p>I understand that utility service billings are due when rendered and become delinquent thirty days after billing date. Should I become delinquent in payment of any such billing. Mt. Pleasant City shall have the right to demand payment of billing and a guarantee deposit to secure ninety days' utility service billings or suspend my services. Mt. Pleasant will charge a \$20.00 return check fee for each returned check. Further, release is hereby given to Mt. Pleasant City to obtain all such information from employer(s) or references as may be deemed necessary to process this application for service or to effect collection of any unpaid balance due. I the undersigned, here by certify that the information given is true and correct.</p>			
Signature of Applicant:		Date:	
Signature of Co-Applicant:		Date:	
Email Address:		Paperless Billing: Yes <input type="checkbox"/> No <input type="checkbox"/>	
City Office Use Only:			
Deposit Amount: _____		Previous Account #: _____	
New Account#: _____		Connection Date: _____	
Date Input in Pelorus: _____		Command Center uptade: _____	

Mount Pleasant City Zoning Permit

This zoning permit notifies city officials that the property owner listed below wants to build on the property listed. With appropriate city official's signatures, it also authorizes issuance of a building permit for construction as described herein as meeting all requirements of the city.

City officials are to examine the property owner's development plans and specifications to ensure that they conform to city Planning and Zoning ordinances and regulations.

Prior to authorization by city officials the Site Plan review process must be completed. The site plan review traditionally should take no less than fifteen days and no more than forty-five days from the date of submission.

1. Name of Person who wants to build or develop: _____
2. Mailing Address: _____
3. Current Telephone Number: _____
4. Approximate address of property to be developed: _____
5. Tax Serial Number: _____
6. Legal owner of the property to be developed: _____
7. Is the property in a flood zone? Yes _____ No _____

Detailed description of the structure, building, or other development:

Application for Electric Service Request

Contractor / Consultant Information

Contractor / Consultant Name: _____
Contact person: _____
Cell #: _____ Fax #: _____

Customer (Owner) Contact Information

Only Complete if owner and contractor are separate individuals

Name: _____
Mailing Address: _____
City, State, And Zip: _____
Phone #: _____

Electrical Contractor Information

Business Name: _____
Contact Name: _____
Contact #: _____ Fax #: _____
Email: _____

Service Information

New Service Address: _____
City, State, Zip: _____
Subdivision Name: _____ Lot#: _____
Service Size: _____ Amps Service Voltage: _____
Type: Over Head Under Ground Single Phase Three Phase
Temporary Power Needed: Yes: _____ No: _____
(\$30 Per month plus kwh usage)
Meter Type: _____ CT's Yes / No Size: _____
Test Block: Yes / No Transformer size: _____ KVA
Specials Conditions and or Request:

County Inspection Complete: Yes / No
Expected Building Completion (mm/dd/yyyy): _____

Applicant or Representative's

Signature: _____ Date: _____

Mount Pleasant Power Representative Signature: _____

Fee Schedule:

- Water: \$2076.00 (3/4 Inch) or \$2337.00 (1 Inch)
- Sewer: \$150.00 (City Inspection)
- Power: \$1,225.00 (Overhead) or 1,265.00 (Underground)
- Zoning Application: \$25.00
- Utility Security Deposit: \$200.00
- Excavation Permit \$1000.00

Fees must be paid before application will be signed off by Mount Pleasant City.

Building Permit will be issued by the Sanpete County Building Inspector's Office.

They can be contacted at (435) 835-2114.

Other Information Residential Zones:

- Minimum lot size: 10,000 square feet (1/4 acre)
- Front setback: 30 feet Back setback: 30 feet
- Side setback corner lot: 20 feet
- Side setback (not on corner): 10 feet min for total for 24" for both sides

If sewer extension is needed, please get specific information from Public Works and City Hall.

Please Note: Single wide mobile homes may only be located in mobile home subdivision or park and must have HUD stamp. Manufactured (double wide) may be located on any lot in the City, but must meet all requirements of stick built home, including permanent foundation. Both single wide and double wide will need to be manufactured after 1976.

CITY USE ONLY

Property line setbacks in feet:
 North: _____ South: _____ East: _____ West: _____

Do any setbacks face any streets (check those that apply):
 North: _____ South: _____ East: _____ West: _____

Which Setback is the building fronting (check those that apply):
 North: _____ South: _____ East: _____ West: _____

Sketch plan has been approved: Yes: _____ No: _____

Referred to planning Commission: Yes: _____ No: _____
 If referred to Commission when is appointment: _____
(Date)

Property's Assigned Address: _____

I _____ have examined the property owner's plans and found them to meet all the Mount Pleasant City zoning requirements.

Utility department approvals

Water: (initials of authorized party)	
--	--

Comments: _____

Sewer: (initials of authorized party)	
--	--

Comments: _____

Irrigation: (initials of authorized party)	
---	--

Comments: _____

Fire Department: (initials of authorized party)	
--	--

Comments: _____

Power: (initials of authorized party)	
--	--

Comments: _____

Treasurer's office

Utility application has been completed: Yes: _____ No: _____
 If needed a \$200 security deposit has been collected: Yes: _____ No: _____

Treasurer has received the following hookup fees: \$1000 Excavation Permit Paid:
 (Indicate Amount Paid and Initial) Yes: _____ No: _____

Water: _____ Sewer: _____

Irrigation: _____ Power: _____

Sewer Inspection Information

8.02.020.9 INSPECTIONS; REVOCATION

The inspection of sewer connections between the main sewer and three feet (3') outside of the building line shall be made by or under the direction of the public works superintendent. He shall be notified at least four (4) hours in advance by the plumber that the connection is complete and ready for inspection. The entire length of the sewer connection, including a "Y" at the main sewer shall be fully exposed. No backfilling shall be done until the inspection is made and the work accepted. If any portion of the work is not done in accordance with this section and the instructions of the superintendent or his inspectors, it shall be rectified promptly. In the event that the connections are not complete, or if change makes necessary another inspection, a charge in such amount as established by resolution of the city council shall be made for each additional visit. Work done without notice to inspect or without inspection shall be treated as defective work and shall be condemned, uncovered and re-laid, if necessary, to the grade given by the superintendent and inspected by the proper official upon the proper permits being taken out and paid for. The license of the plumber or sewer contractor performing such defective work shall be revoked; no permit shall be issued to any licensed plumber during the time he shall fail to remedy any defective work and during the time that his license has been revoked. Written notice of the revocation must be sent by the superintendent to the address shown on the license being revoked.

SEWER CONECTION FEES:

As it is the responsibility of the owner to install the sewer lateral from the main to the structure, and to have it inspected by City personnel prior to covering, the connection fee for all sewer connections shall be \$150.00 to pay for the cost of inspection. The contractor is to provide to the City a map of the laterals and measurements of the clean out.

The connection fees established herein shall become effective Upon the adoption of this resolution.

Application for Excavation and/or Construction Permit

JOB LOCATION ADDRESS: _____

DESCRIPTION OF WORK TO BE PERFORMED: _____

WATER CONNECTION: YES ___ NO ___ LONG SIDE ___ SHORT SIDE ___
 SEWER CONNECTION: YES ___ NO ___ LONG SIDE ___ SHORT SIDE ___
 POWER CONNECTION: YES ___ NO ___ LONG SIDE ___ SHORT SIDE ___
 IRRIGATION CONNECTION: YES ___ NO ___ LONG SIDE ___ SHORT SIDE ___
 DRIVEWAY OR APPROACH: YES ___ NO ___

RIGHT-OF-WAY DRAINAGE APPROVED: YES ___ NO ___ DATE: _____
 COMMENTS: _____

RIGHT-OF-WAY CLEANUP COMPLETE: YES ___ NO ___ DATE: _____
 COMMENTS: _____

ATTACH MAP OR DIAGRAM IF NEEDED TO FURTHER EXPLAIN

Application must be submitted with the zoning permit prior to approval of application. The application must be accompanied by a deposit of \$1,000.00, of which 50% will be refunded upon completion date with the remaining 50% refunded after one year from completion date. All work must be inspected and approved by the Public Works Employees listed below. By signing below Contractor/Property Owner has read and agreed to accompanied ordinances.

 Company Name & Address

 Contractor Signature

 Property Owner Signature

Approval by Mt. Pleasant City

 Public Works Director/Foreman

 Date

Sam Draper
Public Works Director

Colter Allen
Public Works Foreman

EXCAVATION PERMIT REFUND		
First Inspection:	Date:	Receipt #:
Final Inspection:	Date	Receipt #:
Notes:		

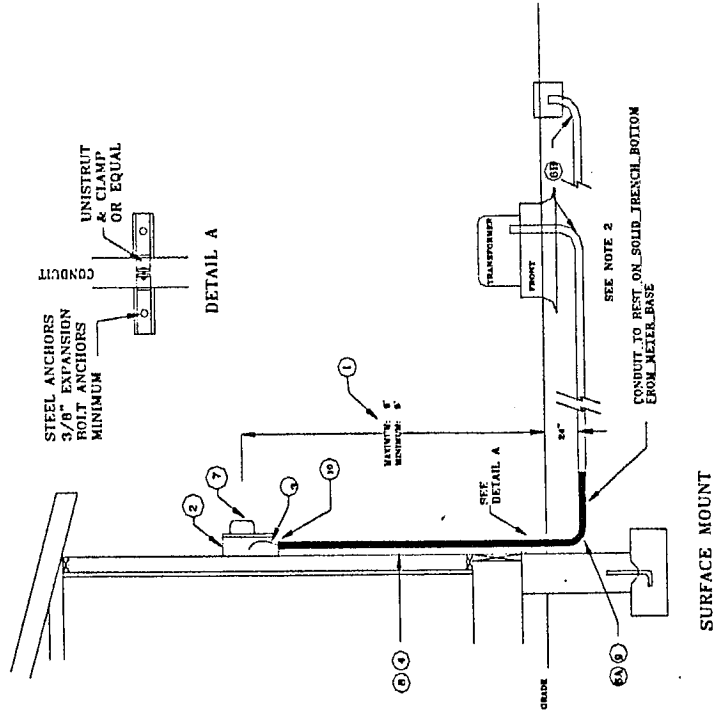
1. HEIGHT OF METER 5' 6" AND NOT TO EXCEED 6', AND NOT LOWER THAN 5'.
2. METER BASE FURNISHED AND INSTALLED BY THE CUSTOMER (A MANUAL BY PASS IS REQUIRED ON ALL 3 PHASE)
3. MT. PLEASANT POWER WILL PROVIDE THE CONDUCTORS FOR SINGLE PHASE SERVICES.
4. CONDUIT TO BE RIGID METALLIC OR IMC FROM GROUND TO METER BASE. (Refer to conduit sizes below) FURNISHED AND INSTALLED BY CUSTOMER.
5. CONDUIT FROM BUILDING TO CONNECTION POINT WILL BE GRAY PVC-SCH 40 OR EQUAL. FURNISHED AND INSTALLED BY THE CUSTOMER CONDUIT WILL COMPLY WITH THE NATIONAL ELECTRIC SAFETY CODE.
6. A 90 ELBOW METER BASE WILL BE RIDGID OR IMC.
B 90 ELBOW AT SECONDARY CONNECTION BOX or transformer WILL BE SCH 40 PVC.
7. MT. PLEASANT POWER WILL PROVIDE METERS.
8. CONDUIT SIZES: (MINIMUM)
2" - conduit for 100 amp service.
3" - conduit for 200 amp service.
3" - conduit for 3 phase, 200 amp service.
9. METAL CONDUIT BELOW GRADE WILL BE PROTECTED BY A CORROSION INHIBITING WRAP. (10 MILL PVC PIPE WRAP)
10. ALL METAL TERMINATIONS SHALL HAVE BUSHINGS OR METER BASE HUB.

NOTE:

1. ALL SHADED AREA WILL BE RIGID METALLIC OR IMC.
2. MINIMUM DEPTH OF SERVICE TRENCH TO BE 24" TO TOP OF CONDUIT.
3. GROUNDING TO MEET NEC.
4. PVC TAPE WRAP ON ALL METAL PIPE BELOW CLAMP, CONTINUOUS BELOW GRADE TO PVC PIPE

Mt. Pleasant City Power
 SPECIFICATIONS FOR UNDERGROUND SERVICES
 200 AMPS MAXIMUM
 (SINGLE PHASE AND THREE PHASE) DRAWING 10.0.1

Mt. Pleasant Power



DRAWN BY: GJR
 APPROVED BY: RC
 DATE: REVISED 1/22/03



Mt. Pleasant City Electric Service Requirements

1. HEIGHT OF THE METER 5' 6" AND NOT TO EXCEED 6', AND NOT LOWER THAN 5'.
2. METER SOCKET TO BE FURNISHED AND INSTALLED BY THE CUSTOMER.
3. SINGLE PHASE TRANSFORMER PAD OR SPLICE BOX FURNISHED BY MT. PLEASANT POWER. THREE PHASE PAD FURNISHED AND INSTALLED BY CUSTOMER BOTH WILL BE SET TO GRADE BY CUSTOMER. (THREE PHASE PAD SPECS. FURNISHED TO CUSTOMER FROM UTILITY).
4. SERVICE CONDUIT FURNISHED AND INSTALLED BY THE CUSTOMER. UTILITY WILL PROVIDE THE CONDUCTORS ON SINGLE PHASE SERVICES. CUSTOMER SHALL COMPLY WITH THE NATIONAL ELECTRICAL CODE AND UTILITY STANDARDS.
5. CUSTOMER TO FURNISH 6" STAND-OFF BRACKETS, CLAMPS, LAGS AND UNISTRUT 1 1/2 DEEP. MINIMUM OF ONE FOR EVERY TEN FOOT LENGTH OF CONDUIT ALONG WITH THE PROPER SIZE OF WEATHERHEAD. THE UTILITY WILL BUILD RISER AFTER THE 1ST TEN FEET.
6. METAL CONDUIT BELOW GRADE WILL BE PROTECTED BY CORROSION INHIBITING WRAP (10 MIL. PVC PIPE WRAP) CONTINUOUS BELOW GRADE TO PVC PIPE. WRAP SHALL NOT GO THROUGH CLAMPS.
7. ALL METAL TERMINATIONS SHALL HAVE BUSHINGS OR METER BASE HUB.

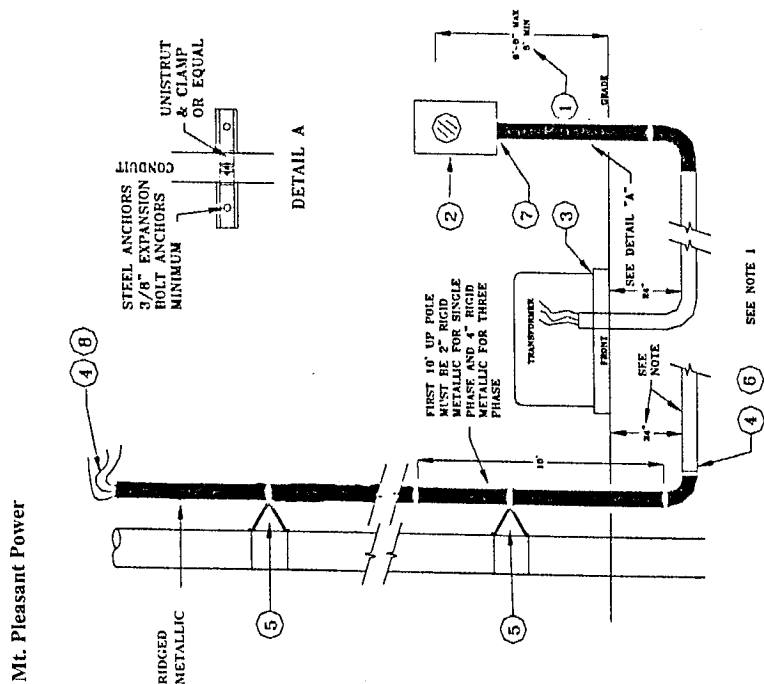
NOTE:

1. SERVICE CONDUIT WILL MEET WESTERN UNDERGROUND COMMITTEE SPEC. 3.1 CONDUIT AND CONDUCTORS WILL COMPLY WITH NATIONAL ELECTRICAL CODE. THREE PHASE SERVICE CONDUCTORS WILL BE FURNISHED AND INSTALLED BY CUSTOMER.
2. ALL SHADED AREA WILL BE RIDGID METALLIC CONDUIT
3. MINIMUM DEPTH OF SERVICE TRENCH TO BE 24" (2 FEET).
4. MINIMUM DEPTH OF TRENCH FOR PRIMARY LINE WILL BE 48" (4 FEET). FROM TOP OF CONDUIT PRIMARY TRENCH WILL BE FURNISHED AND INSTALLED BY MT. PLEASANT POWER CONTRACTOR.

Mt. Pleasant City Power

SPECIFICATIONS UNDERGROUND SERVICES
 200 AMPS MAXIMUM.
 (SINGLE PHASE AND THREE PHASE)

DRAWING 10.0.2



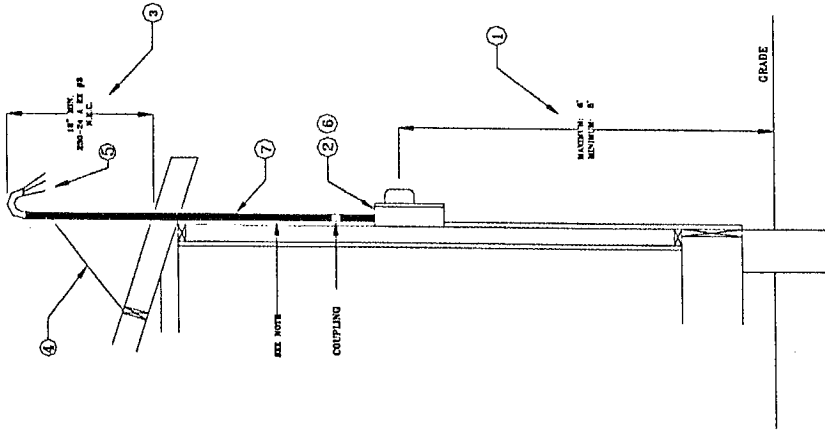
DRAWN BY: GJR
 APPROVED BY: RC
 DATE: REVISED 1/27/2005



1. HEIGHT OF METER 5' 6" AND NOT TO EXCEED 6', AND NOT LOWER THAN 5'.
2. METER BASE FURNISHED AND INSTALLED BY THE CUSTOMER (A MANUAL BYPASS IS REQUIRED ON ALL 3 PHASE)
3. STANDPIPE SHALL BE A MINIMUM 2" RIDGID METALLIC, OR IMC AND EXTENDED ABOVE ALL ROOFS A MINIMUM OF 18" AS OF NEC 230-24.
4. BRIDAL GUY TO BE INSTALLED IF NECESSARY PER NESC.
5. CONDUCTORS AND WEATHER HEAD FURNISHED AND INSTALLED BY CUSTOMER. TO EXTEND 18" FROM THE ROOF AND SHALL COMPLY WITH THE NATIONAL ELECTRICAL CODE.
6. ALL METAL TERMINATIONS SHALL HAVE BUSHINGS OR METER BASE HUB.
7. CONDUIT SIZES: (MINIMUM)
 - 2" - conduit for 100 AMP service
 - 2" - conduit for 150 AMP service
 - 2" - conduit for 200 AMP service
 - 3" - conduit for 200 AMP three phase service

NOTE:

1. ALL SHADED AREA WILL BE RIDGID METALLIC CONDUIT OR IMC.
2. NO COUPLING WITHIN 10' OF WEATHER HEAD.



Mt. Pleasant Power

SURFACE MOUNT

Mt. Pleasant City Power

SPECIFICATIONS FOR OVERHEAD SERVICES
200 AMPS MAX
(SINGLE PHASE AND THREE PHASE)

DRAWN BY: GJR
APPROVED BY: RC
DATE: REVISED 1/27/2005

DRAWING 10.0.7

